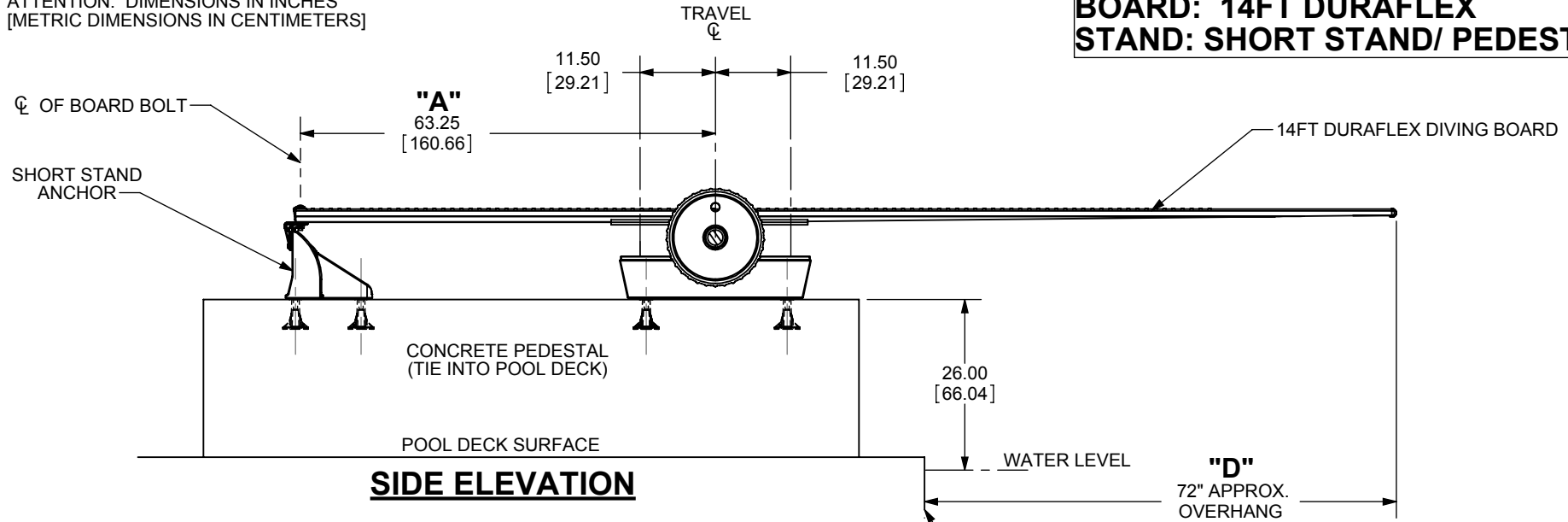
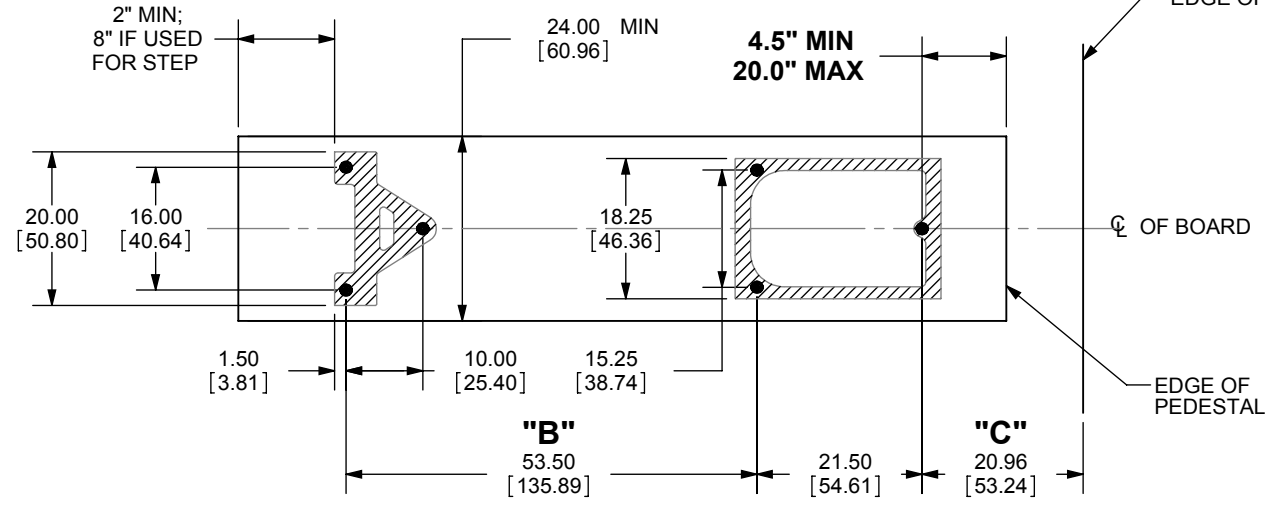


ATTENTION: DIMENSIONS IN INCHES
[METRIC DIMENSIONS IN CENTIMETERS]

**BOARD: 14FT DURAFLEX
STAND: SHORT STAND/ PEDESTAL**



SIDE ELEVATION

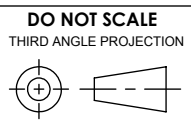


PLAN VIEW AT PEDESTAL

NOTE:

1. EXCEEDING 20" MAX DIMENSION WILL RESULT IN A COLLISION BETWEEN THE BOARD AND PEDESTAL DURING USE.
2. DEPENDING ON PEDESTAL POSITION, C AND D DIMENSIONS MAY CHANGE TO SATISFY 20" MAX DIMENSION.
3. CONTRACTOR MUST SEE THAT DIVING WELL WILL MEET MINIMUM DEPTH AHEAD OF BOARD IF OVERHANG IS INCREASED.
4. FOR THIS SHORT STAND, STEPS AND HANDRAILS TO BE DESIGNED BY ARCHITECT.
5. DURAFIRM SHORT STANDS ARE ALSO OFFERED WITH HANDRAILS: SEE OTHER MODELS.

THIS DOCUMENT IS PROPERTY OF DURAFLEX INTERNATIONAL CORP. IT IS CONSIDERED "COMPANY CONFIDENTIAL" TO BE USED ONLY IN REFERENCE TO CONTRACTS ETC. OF THIS CORP. TO BE RETURNED UPON REQUEST. REPRODUCTION, UNAUTHORIZED USE OR DISCLOSURE TO THIRD PERSONS IS STRICTLY PROHIBITED.



UNLESS OTHERWISE SPECIFIED, ALL DIMENSIONS ARE IN INCHES.

DESIGNER DFX	DATE 5/24/2010	APPROVAL	TITLE S STAND DIVING SYSTEM
DRAWN L-GA	DATE 5/24/2010	NEXT ASSEMBLY -	USED ON SHORT STAND DURAFLEX 14 FT
FILENAME S000-L000-B324-R0B	SHEET SCALE 1:25	SIZE A	DRAWING NUMBER S000-L000-B324-R00
			SHEET REV 1 OF 1 A



DURAFLEX INTERNATIONAL
160 WUNOTOO RD
SPARKS, NV 89434
PHONE: 775-343-0115
FAX: 775-343-0203